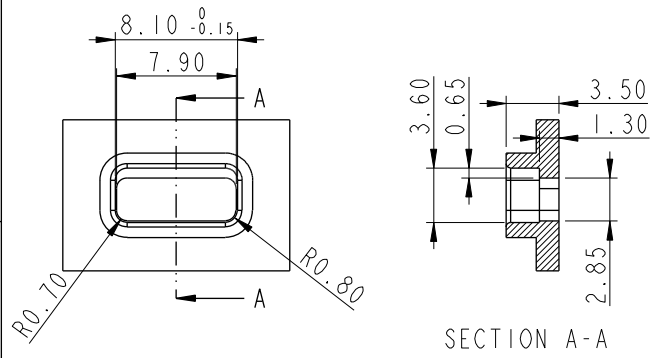


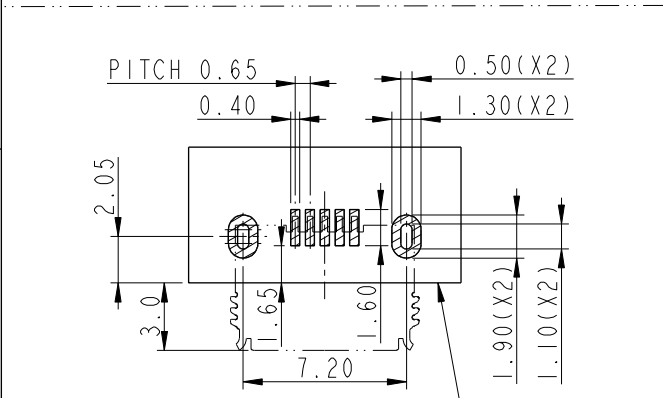
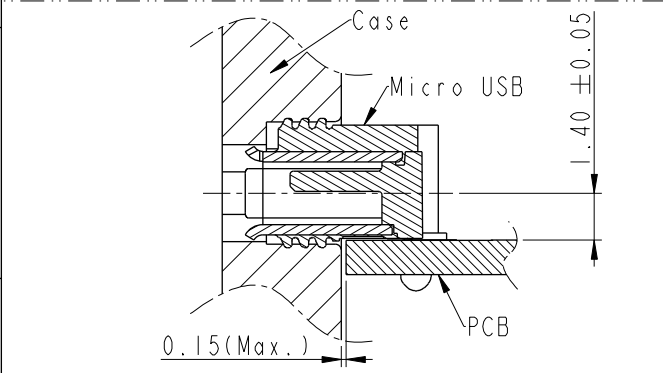
THIS DOCUMENT IS SUBJECT TO CHANGE WITHOUT NOTICE. IT IS CONFIDENTIAL AND A PROPERTY OF Amphenol LTW. DISCLOSURE TO THIRD PARTY HAS TO BE AUTHORIZED BY Amphenol LTW.

REV.	ECN NO.	DATE	SIGN	DESCRIPTION
A	Initial Release	2016/07/25	Jason Yu	New Item
B	LEN1681212~5	2016/08/18	Jason Yu	Add Dimension
C	LEN1790259~62	2017/09/15	Ruru	RoHS Label and blue and white label merger

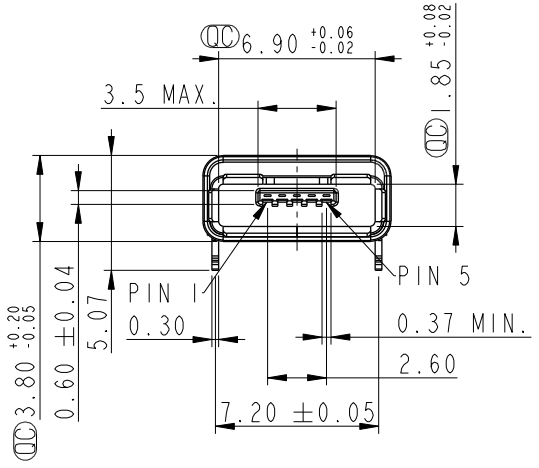
ALTW
CONFIDENTIAL
2017-09-15
R&D DEPT.



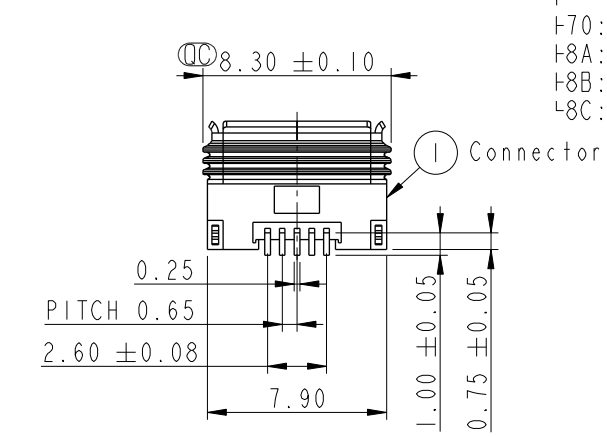
TOLERANCE Recommended Case Cut Out
.XX±0.05 SCALE 2:1



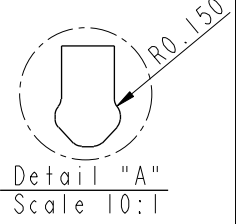
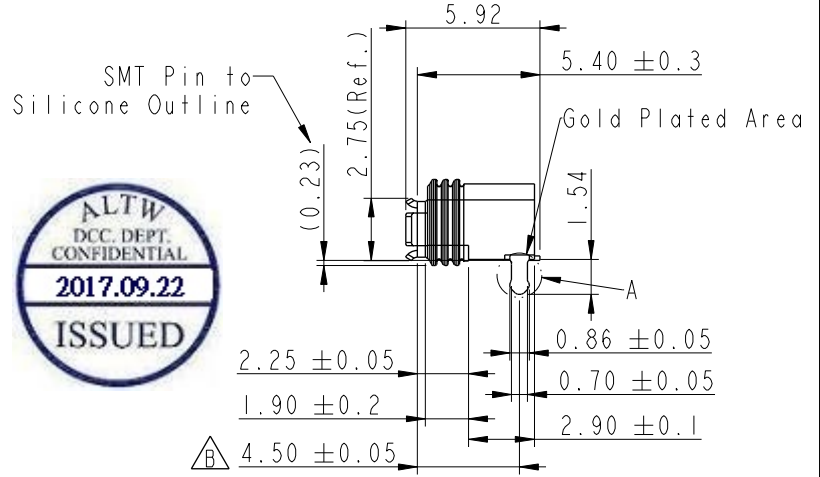
TOLERANCE .XX±0.05
PCB Layout SCALE 2:1
PCB front edge



MUC-20PFFR-JSXX02



ALTW
DCC. DEPT.
CONFIDENTIAL
2017.09.22
ISSUED



- Note:
- * Ⓞ Important Dimensions To Check
 - * Current: 1&5pin(1.8A), 2~4 pin(1.0A)
 - * Housing: Nylon, Black
 - * Terminal: Copper Alloy, Gold Plated
 - * Shell: Stainless, Gold Plated
 - * Inner Gasket: Silicone, Transparent
 - * Outside Gasket: Silicone, Transparent
 - * PCB Thickness: 1.2 MAX.
 - * For Micro USB A & B type plug use
 - * SMD Temperature & Time: 260°C / 5 sec

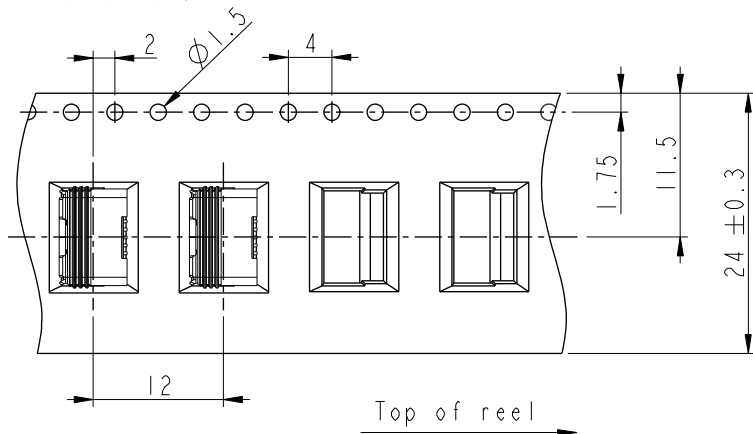
UNIT: mm			TITLE WATERPROOF MICRO-AB USB PANEL 20MAB F CONN JACK LENGHT PIN			
TOLERANCE .X ±0.25 .XX ±0.1 .XXX ±0.05 ANGLES ±1°	SCALE 3:1	SIZE A4	SHEET 1	OF 4	REV. C	WC-REV. A.6
			Ⓞ: Inspection item			

Amphenol LTW
安費諾亮泰企業股份有限公司

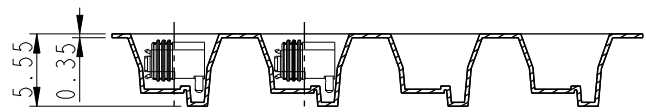
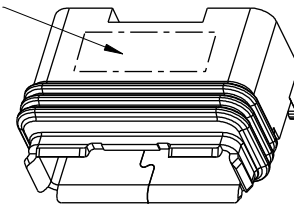
ITEM NO	DRAWN BY	DATE
DWG NO MUC-20PFFR-JSXX02	Ruru	2017-09-15
CUSTOMER ALTW	CHECKED BY Rita	DATE 2017-09-15
	APPROVED BY Max	DATE 2017-09-15

THIS DOCUMENT IS SUBJECT TO CHANGE WITHOUT NOTICE. IT IS CONFIDENTIAL AND A PROPERTY OF Amphenol LTW. DISCLOSURE TO THIRD PARTY HAS TO BE AUTHORIZED BY Amphenol LTW.

Tape & Reel Information:

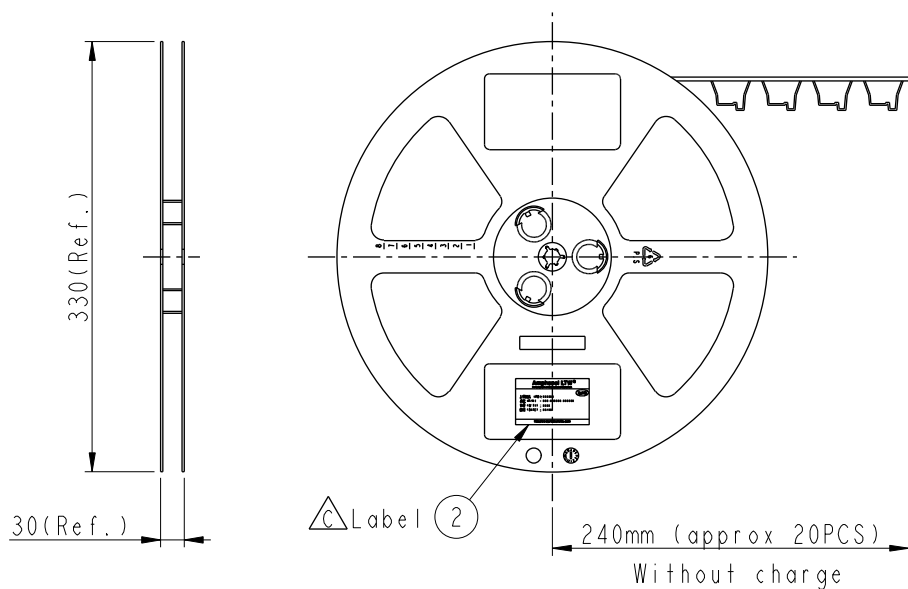


SMT Nozzle Area
(6.0x2.0mm)



Wide cover tape ground
out periphery 1 turn

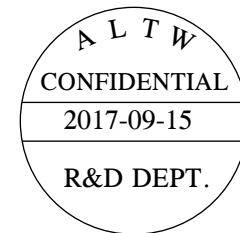
Peeling strenght 0.1~1.3N Max.
(300±10mm/min)
Peeling angle
165~180°



Top of reel

1000 PCS/Reel
With product charge

(approx 20PCS)
240mm
Without charge



UNIT: mm		
TOLERANCE		
.X	±0.25	
.XX	±0.1	
.XXX	±0.05	
ANGLES	±1°	

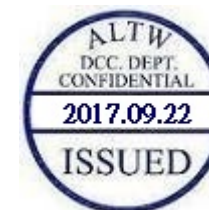
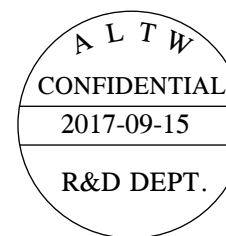
TITLE WATERPROOF MICRO-AB USB PANEL 20MAB F CONN JACK LENGHT PIN			
SCALE Free	SIZE A4	SHEET 2 OF 4	
REV. C	WC-REV. A.6	QC: Inspection item	

Amphenol LTW
安費諾亮泰企業股份有限公司

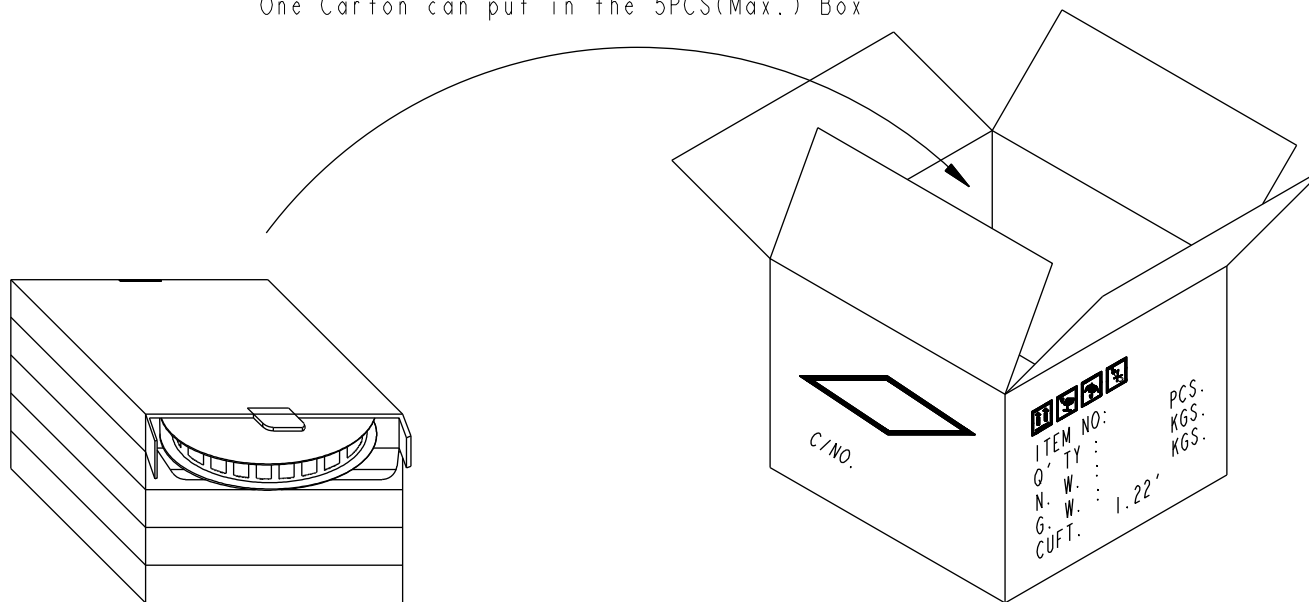
ITEM NO	DRAWN BY Ruru	DATE 2017-09-15
DWG NO MUC-20PFFR-JSXX02	CHECKED BY Rita	DATE 2017-09-15
CUSTOMER ALTW	APPROVED BY Max	DATE 2017-09-15

THIS DOCUMENT IS SUBJECT TO CHANGE WITHOUT NOTICE. IT IS CONFIDENTIAL AND A PROPERTY OF Amphenol LTW. DISCLOSURE TO THIRD PARTY HAS TO BE AUTHORIZED BY Amphenol LTW.

Package :



One Carton can put in the 5PCS(Max.) Box

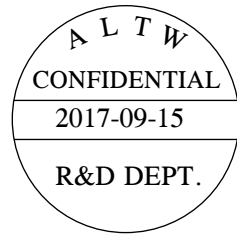


1000 PCS(Connector)/Tape&Reel, Put in a Box

(5,000 PCS/Carton)

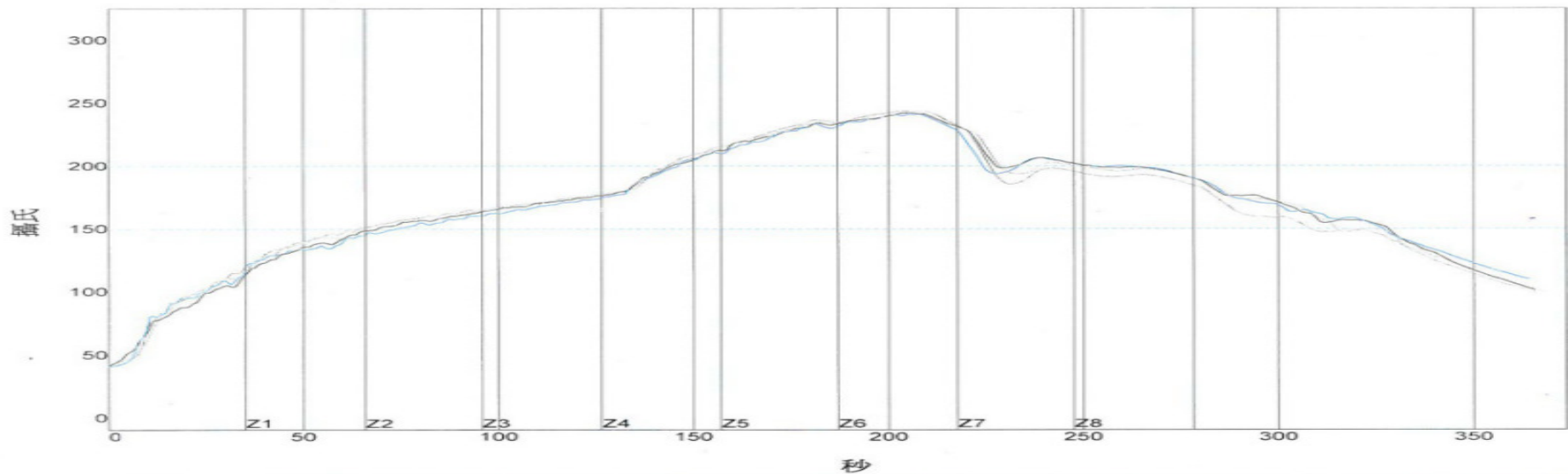
UNIT:mm		TITLE		Amphenol LTW 安費諾亮泰企業股份有限公司	ITEM NO	DRAWN BY	DATE
		WATERPROOF MICRO-AB USB PANEL 20MAB F CONN JACK LENGHT PIN			MUC-20PFFR-JSXX02	Ruru	2017-09-15
TOLERANCE		SCALE	SIZE		CHECKED BY	DATE	
.X ±0.25		Free	A4		Rita	2017-09-15	
.XX ±0.1					APPROVED BY	DATE	
.XXX ±0.05		REV. C	WC-REV. A.3		Max	2017-09-15	
ANGLES ±1°		SHEET 3 OF 4					
		: Inspection item					

For SMT Process Recommend:



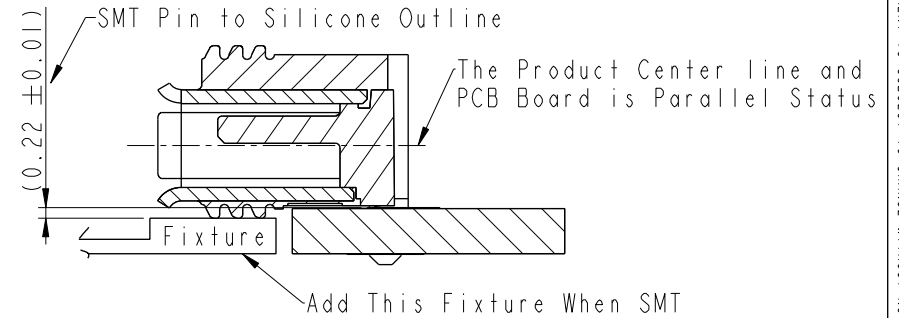
About IR Reflow Profile:

溫度設置 (攝氏)	1	2	3	4	5	6	7	8
溫區								
上溫區	160	180	180	180	190	245	265	260
下溫區	160	180	180	180	190	245	265	260
傳送帶速度 (米/分):	0.95							



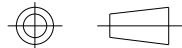
PWI= 61%	最高上升斜率	最高下降斜率	恢復時間150至200C	回流時間 /220C	最高溫度					
CON1	2.81	-6%	-2.33	33%	80.21	-33%	60.91	-30%	242.36	-18%
CON2	2.38	-21%	-2.14	43%	75.61	-48%	57.41	-42%	241.74	-22%
CON3	2.81	-6%	-2.84	8%	77.79	-41%	58.66	-38%	243.44	-10%
CON4	2.83	-6%	-2.34	33%	72.24	-59%	51.64	-61%	240.92	-27%
溫差	0.45		0.70		7.97		9.27		2.52	

About Fixture:



Add This Fixture When SMT

UNIT: mm



TITLE WATERPROOF MICRO-AB USB PANEL 20MAB F CONN JACK LENGHT PIN

Amphenol LTW
安費諾亮泰企業股份有限公司

ITEM NO	DRAWN BY	DATE
DWG NO	CHECKED BY	DATE
CUSTOMER	APPROVED BY	DATE
ALTW	Ruru	2017-09-15
	Rita	2017-09-15
	Max	2017-09-15

SCALE	SIZE	SHEET	OF
Free	A4	4	4
REV.	WC-REV.	◎: Inspection item	
C	A.3		

THIS DOCUMENT IS SUBJECT TO CHANGE WITHOUT NOTICE. IT IS CONFIDENTIAL AND A PROPERTY OF Amphenol LTW. DISCLOSURE TO THIRD PARTY HAS TO BE AUTHORIZED BY Amphenol LTW.